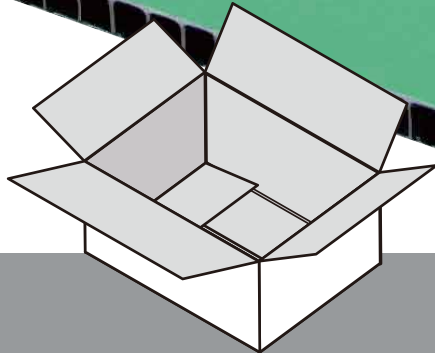
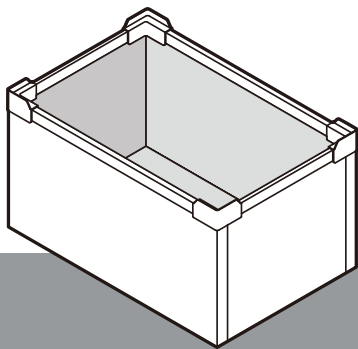
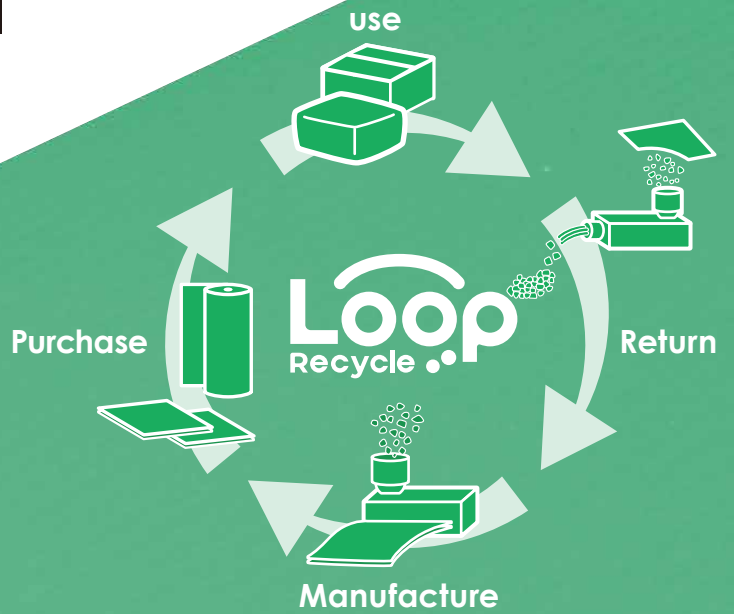
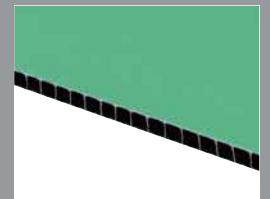
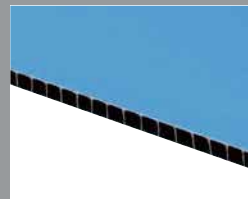
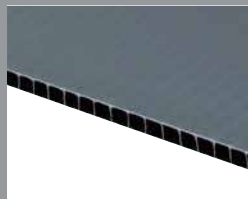


ecoReal Board



*Excluding pigments and additives.

Plastic cardboard made from 100% recycled materials. It is easy to process and recommended for boxes and small packages.



Standard dimensions

Product name	No.	App. thickness (mm)	basis weight (g/m ²)	Standard board size (W × L mm)	Standard colour		Material
					Surface layer	Middle layer	
ecoReal Board (ER Board)	ER-BD3	3	500	1,500 × 1,850	White/Grey	black	Polypropylene
	ER-BD5	5	800	1,500 × 2,450	White/Grey		
			1,000		Blue/Green		

※ Due to the nature of the product colour variations may occur.

△ This product is flammable and should not be stored or used near fire. △ Do not store or use the product in high temperatures or direct sunlight for long periods of time.

Caution!

There may be small holes on the surface, but this is due to the use of recycled raw materials. They are not dents flaws.



Manufacturer

 KAWAKAMI SANGYO CO.,LTD.

Homat Horizon Bldg 4F, 6-2 Gobancho, Chiyoda-ku, Tokyo, 102-0076 Japan
 export@putiputi.co.jp
 Copyright Kawakami Sangyo Co., Ltd. All Rights Reserved.



<https://www.putiputi.co.jp/en>